



T O M I C S. A.

ŻUROMIN POLAND

Factory and Sales

TOMIC s.A.

ul. Żeromskiego 76/82

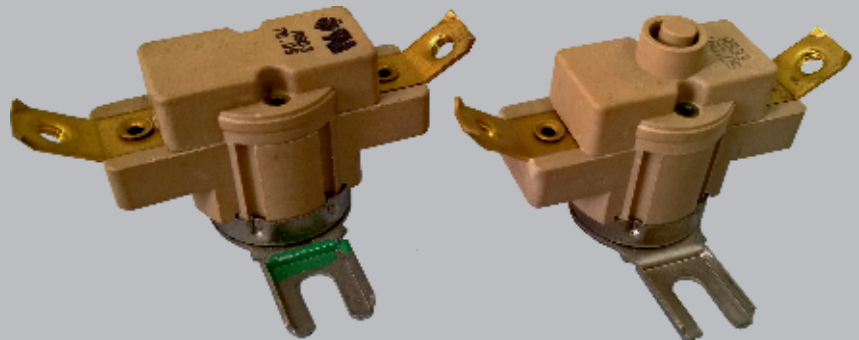
09-300 Żuromin POLAND

tel.: +48 23 657 31 61

fax.: +48 23 657 24 07

www.tomic.pl

Thermal cut – out AS03, AS33



Thermal cut-out type AS is a versatile and cost effective design. The snap action of the temperature sensing bimetal disc provides high speed contact operation in high life characteristics.

DIN EN ISO 9001:2008

VDE Testing and Certification Institute

QUALITY & EXPERIENCE SINCE 1979



Standard Specifications

- Contact configuration: normally closed
- Range of rated switching temperatures: 60°C - 180°C
- Switching temperature tolerance: $\pm 5K / \pm 10K$
- Switching differential: $30 \pm 15K$ / manual reset
- Rated current of resistance loading: 25A
- Rated voltage: max 400V

Sample Applications

- Water heaters
- Dishwasher
- Boilers
- Clothes dryers
- Heaters
- Washing machines
- Air-conditioning
- Vending machines

Features

- Available in automatic and manual reset
- Available in various mounting configuration
- Snap action type bimetal thermostat

Marketing & Sales In Western Europe

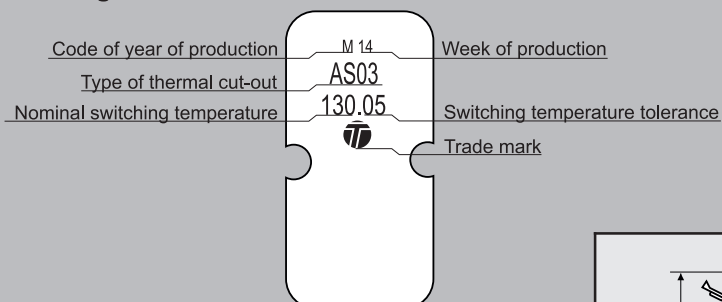
ALBOL

Albol Electronic & Mechanical Products Ltd.
159 Ravenscroft Road; Beckenham
Kent BR3 4TN England (UK)
tel: 0044 208 776 5280/89
fax: 0044 208 659 7501
e-mail: albol@btconnect.com
www.albol.co.uk

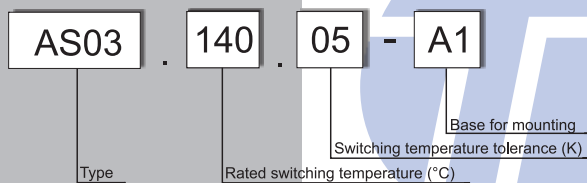


Thermal cut – out AS03, AS33

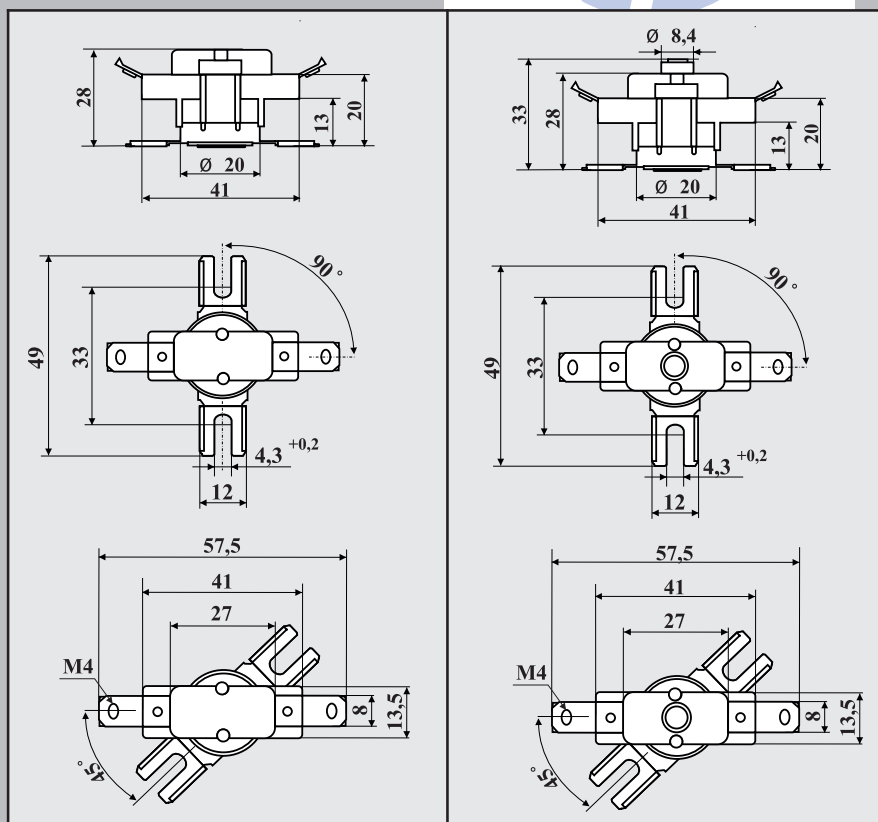
Marking



Ordering example



Electrical scheme



Type of thermal cut-out	AS03	AS33
Contact	SPST, normally closed	
Rated voltage	250V; AC	max 400 V; AC
Rated current of resistance loading $I_{zn}, \cos\phi = 1,0$	30 A	20 A/250 V; 15 A/400 V
Number of switching cycles at rating loading	6 000 cycles	6 000 cycles
Range of rated switching temperatures	60°C - 185°C	
Switching temperature tolerance (standard)	±5K / ±10K	
Switching differential	30 ± 15K	manual reset
Speed of temperature changes	0,5 ÷ 1K / min	
Thermal resistance	max 220°C / 1min	
Degree of protection	IP 00	
Degree of pollution (acc. to EN-60730-1)	2	
PTI of material used for insulation	250 V	
Rated impulse voltage	2500 V; 50 Hz	4000 V; 50 Hz
Contact resistance	max 20 mΩ	
Construction	for incorporation in class I equipment	
Turning moment of tightening screws in connections	1,2Nm	
Approvals	UL	