



T O M I C S. A.

ŻUROMIN POLAND

Factory and Sales

TOMIC s.A.

ul. Żeromskiego 76/82

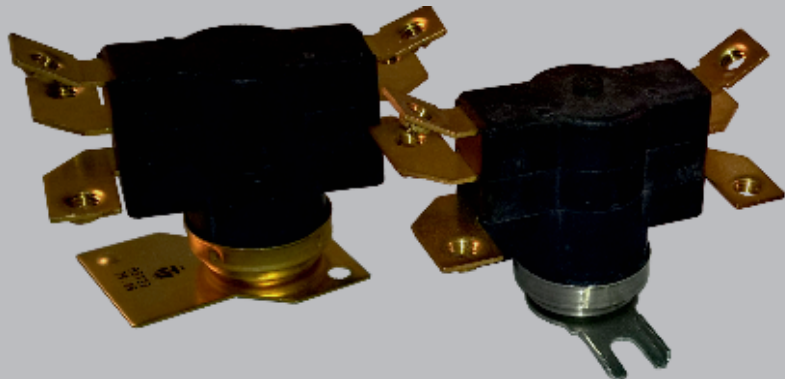
09-300 Żuromin POLAND

tel.: +48 23 657 31 61

fax.: +48 23 657 24 07

www.tomic.pl

Thermal cut – out AST33G



Thermal cut-out type AST is a versatile and cost effective design. The snap action of the temperature sensing bimetal disc provides high speed contact operation in high life characteristics.

DIN EN ISO 9001:2008

VDE Testing and Certification Institute

QUALITY & EXPERIENCE SINCE 1979



Standard Specifications

- Contact configuration: normally closed
- Range of rated switching temperatures: 65°C - 150°C
- Switching temperature tolerance: $\pm 5K / \pm 10K$
- Switching differential: manual reset
- Rated current of resistance loading: 40A
- Rated voltage: max. 400V

Sample Applications

- Water heaters
- Dishwasher
- Boilers
- Clothes dryers
- Heaters
- Washing machines
- Air-conditioning
- Vending machines

Features

- Snap action type bimetal thermostat
- Available in various mounting configuration

Marketing & Sales In Western Europe

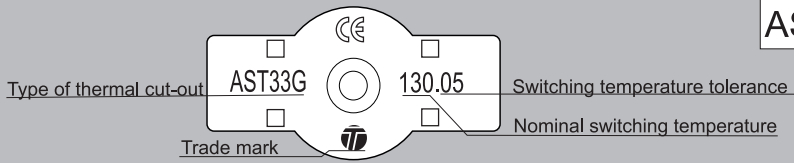
ALBOL

Albol Electronic & Mechanical Products Ltd.
159 Ravenscroft Road; Beckenham
Kent BR3 4TN England (UK)
tel: 0044 208 776 5280/89
fax: 0044 208 659 7501
e-mail: albol@btconnect.com
www.albol.co.uk

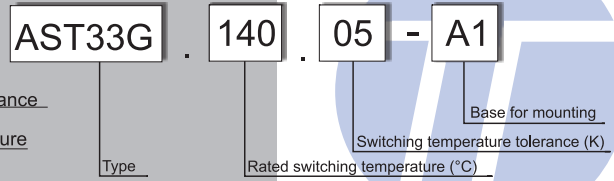


Thermal cut – out AST33G

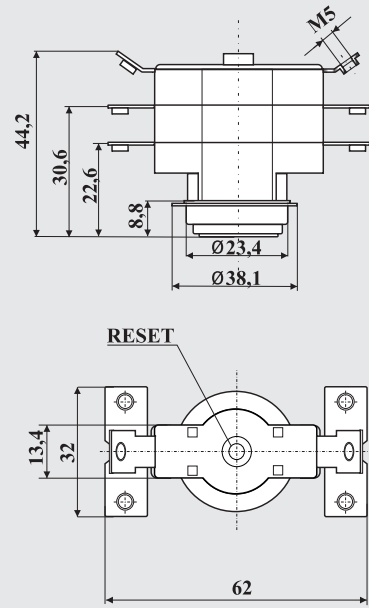
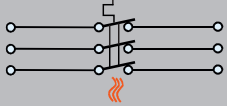
Marking



Ordering example

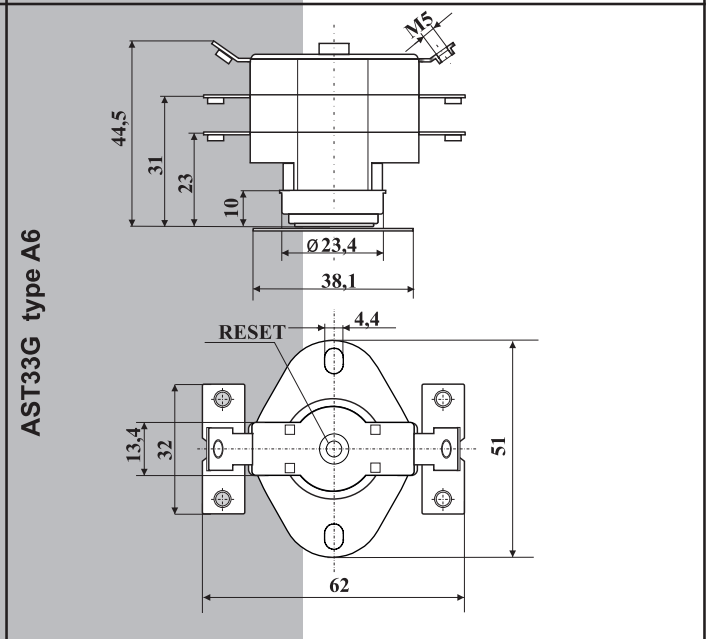
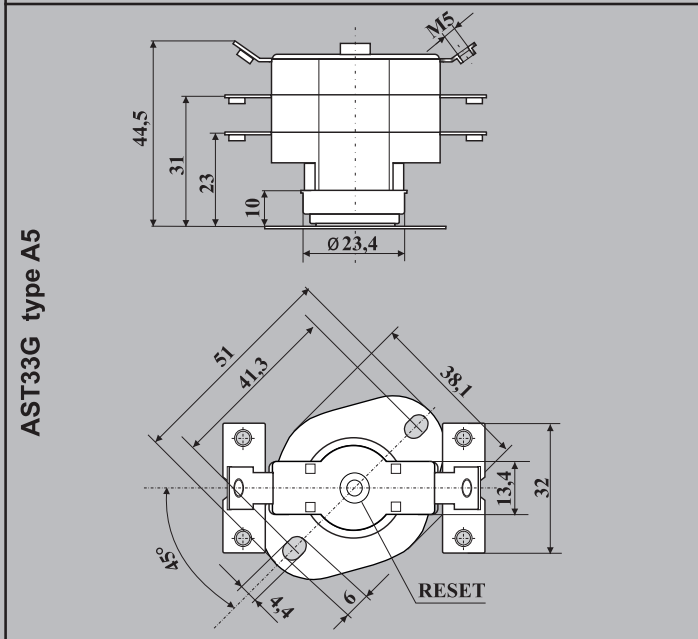
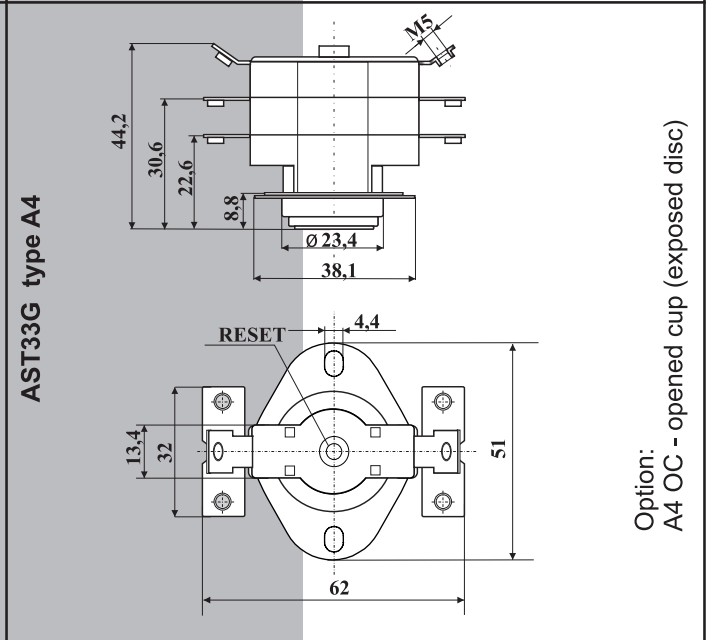
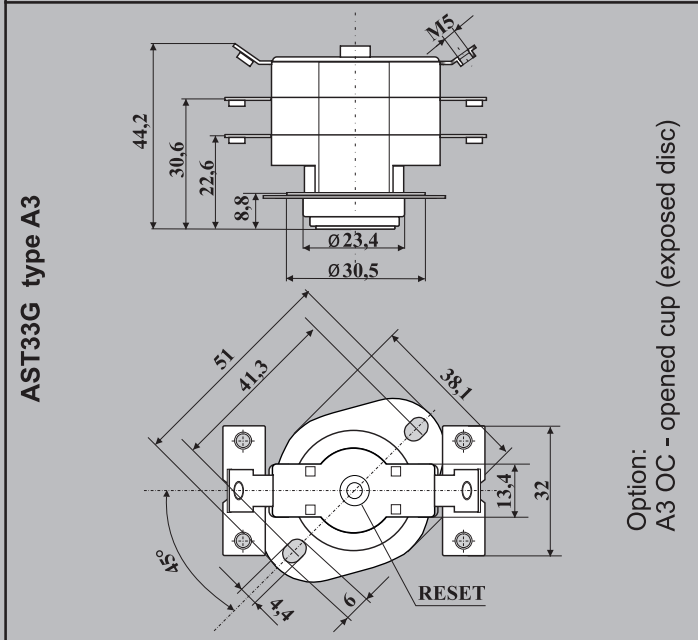
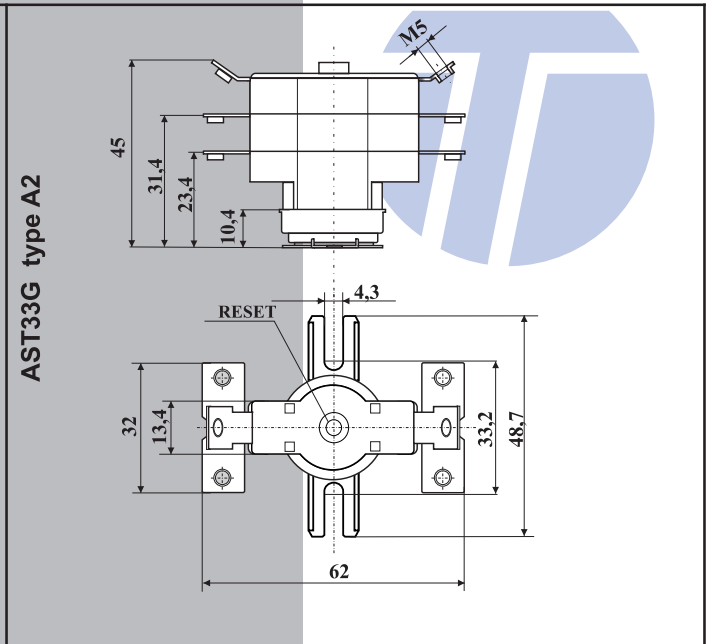
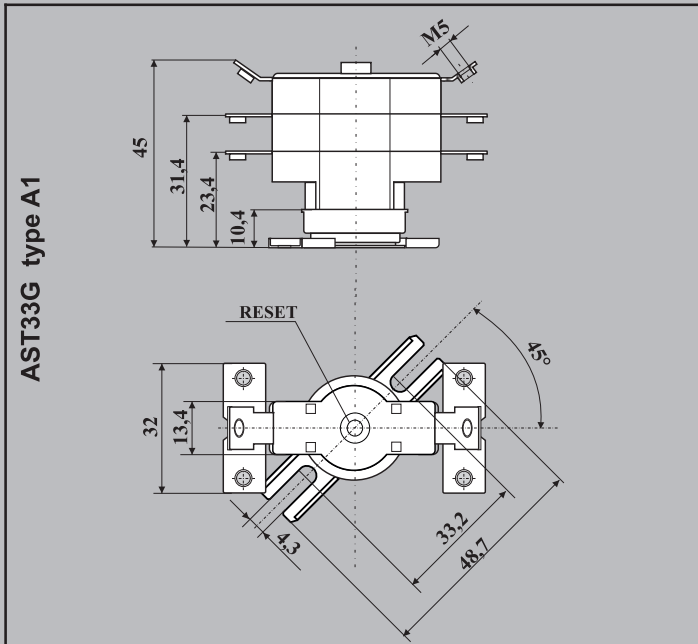


Electrical scheme



Type of thermal cut-out	AST33G
Contact	3PST, normally closed
Rated voltage	400 V; AC
Rated current of resistance loading I_{zn} , $\cos\phi = 1,0$	40 A per each line
Number of switching cycles at rating loading	300 cycles
Range of rated switching temperatures	65°C - 150°C
Switching temperature tolerance (standard)	±5K / ±10K
Switching differential	manual reset
Speed of temperature changes	0,5 ÷ 1K / min
Thermal resistance	max 210°C / 1min
Degree of protection	IP 00
Degree of pollution (acc. to EN-60730-1)	2
PTI of material used for insulation	250 V
Rated impulse voltage	4000 V; 50 Hz
Contact resistance	max 40 mΩ
Construction	for incorporation in class I equipment
Turning moment of tightening screws in connections	2Nm

Thermal cut – out AST33G STANDARD CONSTRUCTIONS





TOMIC s.A.
ul. Żeromskiego 76/82
09-300 Żuromin POLAND
tel.: +48 23 657 31 61
fax.: +48 23 657 24 07
www.tomic.pl