



T O M I C S. A.

ŻUROMIN POLAND

Factory and Sales

TOMIC s.A.

ul. Żeromskiego 76/82

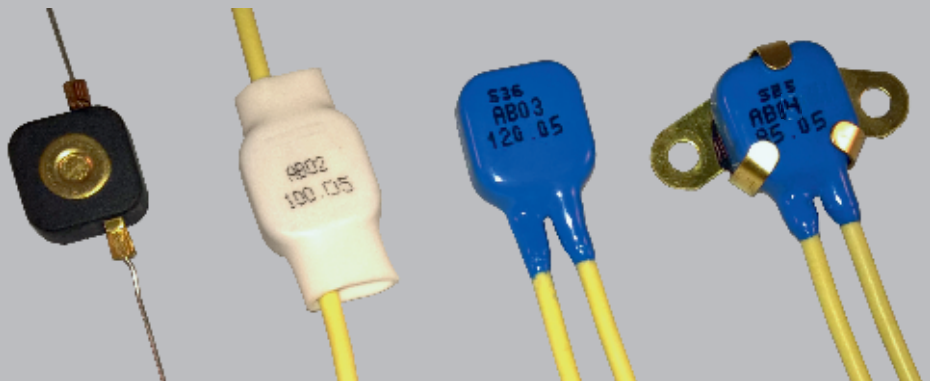
09-300 Żuromin POLAND

tel.: +48 23 657 31 61

fax.: +48 23 657 24 07

www.tomic.pl

Thermal cut – out AB01, AB02, AB03, AB04



Thermal protection of motors, transformers and different equipment.
Also available as normally open.

DIN EN ISO 9001:2008

VDE Testing and Certification Institute

QUALITY & EXPERIENCE SINCE 1979



Standard Specifications

- Contact configuration: normally closed
- Range of rated switching temperatures: 65°C - 150°C
- Switching differential: 30 ± 15K
- Switching temperature tolerance: ±5K / ±10K

Sample Applications

- Motor protector
- Solenoid protector
- Transformer protector
- Power transistor protection

Features

- Snap action type bimetal thermostat
- Solid and insulated lead wire options
- The ability to connect in series

Marketing & Sales In Western Europe

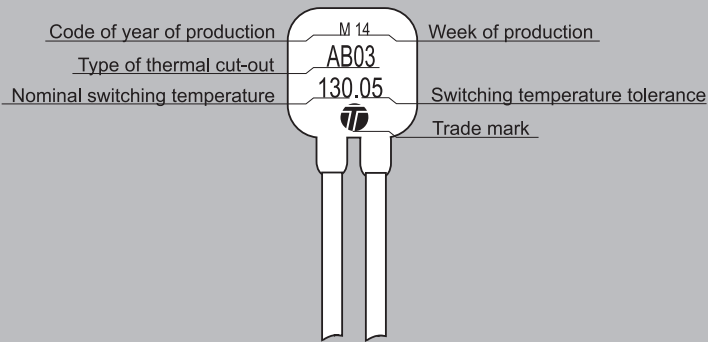
ALBOL

Albol Electronic & Mechanical Products Ltd.
159 Ravenscroft Road; Beckenham
Kent BR3 4TN England (UK)
tel: 0044 208 776 5280/89
fax: 0044 208 659 7501
e-mail: albol@btconnect.com
www.albol.co.uk

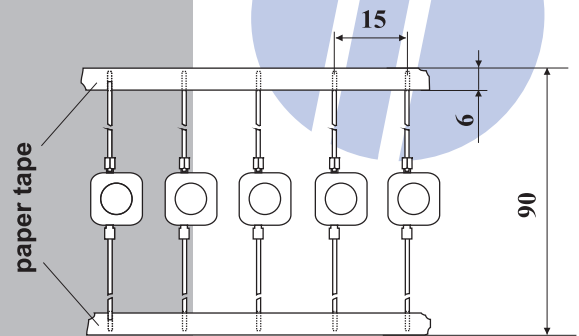


Thermal cut – out AB01, AB02, AB03, AB04

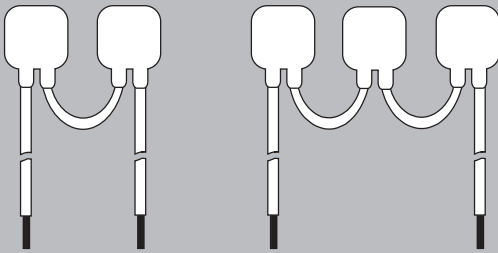
Marking



Packing (option)

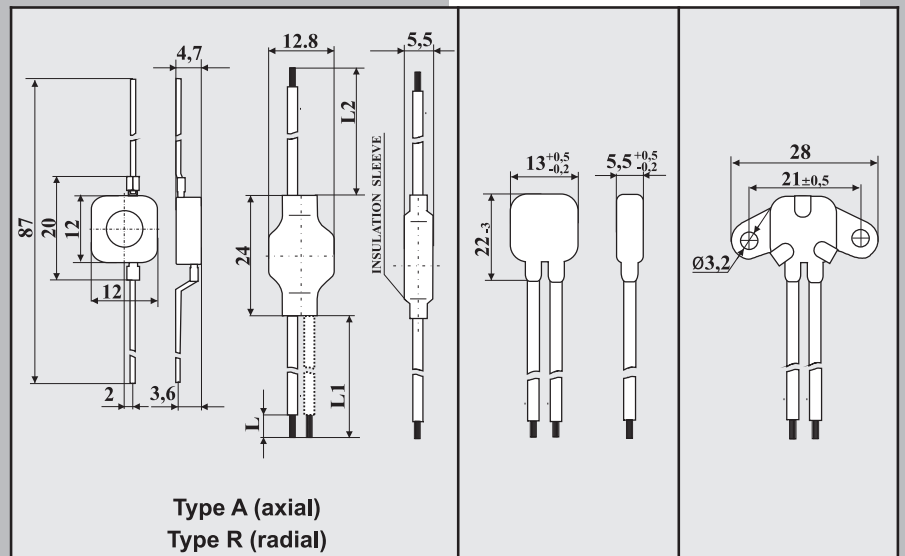


Options:



- Double cables
- Triple cables
- Non-standard temperatures acc. to customer requirements
- With serial thermal fuse

Electrical scheme



Type of thermal cut-out	AB01	AB02	AB03	AB04
Contact	SPST, normally closed			
Rated voltage	250 V; AC			
Rated current of resistance loading $I_{zn}, \cos\varphi = 1,0$ of resistance and induction loading $I_x, \cos\varphi = 0,6$	6,3 A 4 A			
Number of switching cycles at rating loading	10 000 cycles			
Range of rated switching temperatures	65°C - 150°C			
Switching temperature tolerance (standard)	±5K / ±10K			
Switching differential	30 ±15K			
Speed of temperature changes	0,5 ÷ 1K / min			
Thermal resistance	max 230°C / 1min			
Degree of protection	IP 00			
Degree of pollution (acc. to EN-60730-1)	2			
PTI of material used for insulation	250 V			
Rated impulse voltage	-----	2500 V; 50 Hz		
Contact resistance	max 25 mΩ			
Construction	for incorporation/ non-electronic			